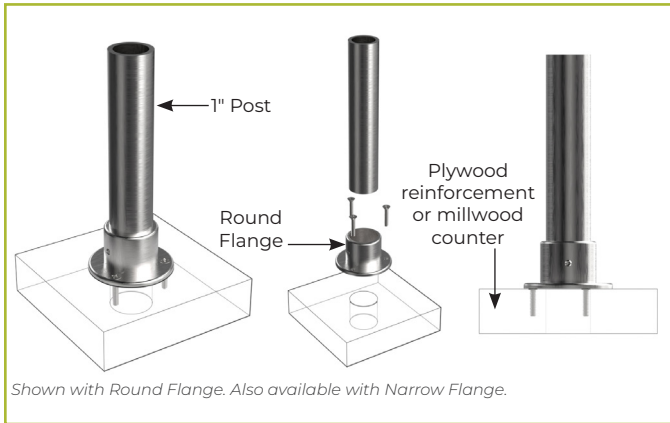


Mounting Options for 1" Round Post

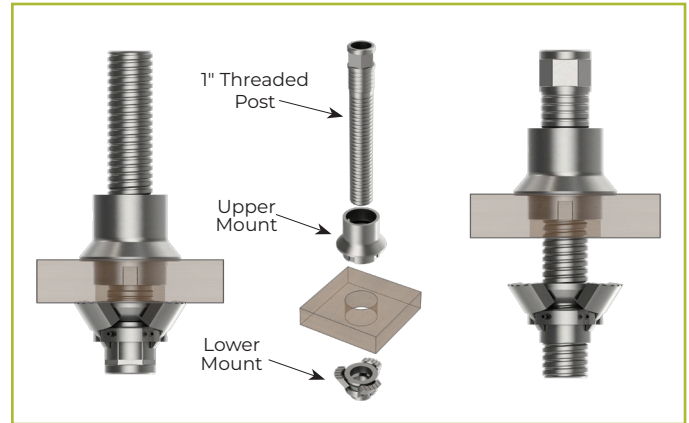
MILLWORK COUNTERTOP

Above Counter - Millwork Mount

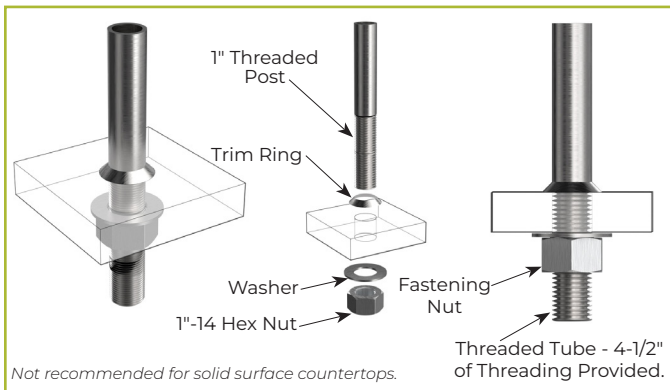


STAINLESS STEEL COUNTERTOP

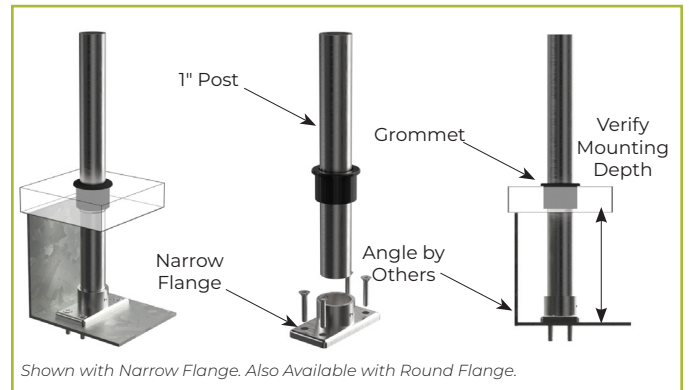
Above Counter - Triton Mount



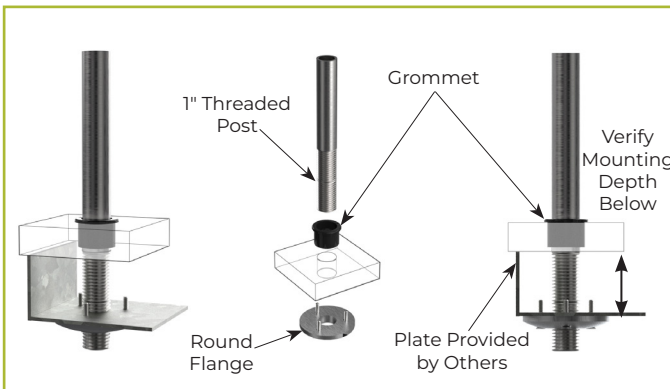
Below Counter - Compression Flange Mount



Below Counter - Upright Flange Mount w/ Plate



Below Counter - Inverted Flange with Plate



Below Counter - Inverted Flange with Plate

